

## SPU 1708-09 Active standalone multiswitch | 17 in 8 | premium-line



- ✓ For up to 8 subscribers
- ✓ Active satellite and terrestrial path
- ✓ Terrestrial adjustable and switchable to passive
- ✓ Switching power supply unit (detachable up to 10 m)
- ✓ Suitable for Quad LNB
- ✓ Suitable for broadband return path (EoC suitable up to 204 MHz)

### Order information

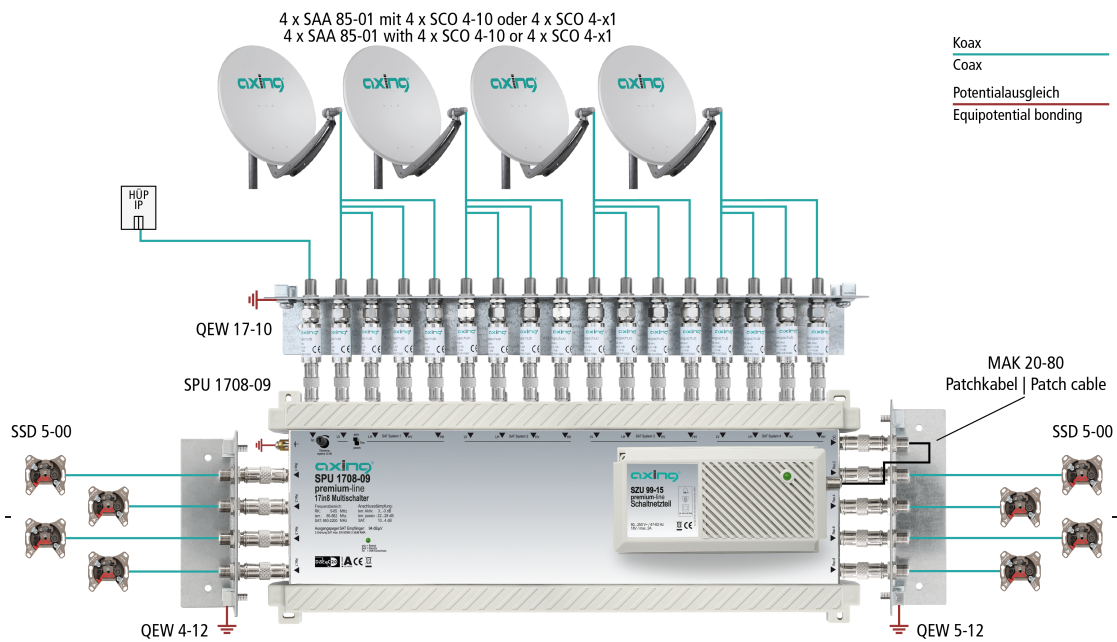
Type	SPU 1708-09
Order no.	SPU170809
GTIN	7611682001730
PE	1
VE	1
EU customs tariff number	85291095



### Technical data

Inputs	
Number	17
Frequency range	5 ... 862 MHz   950 ... 2200 MHz
Attenuator adjustment range TERR, switchable to passive	20 dB
Subscriber ports	
Number	8
Switch commands	13/18 V, 0/22 kHz, DiSEqC 2.0
Gain SAT	-10...-4 dB
Gain TERR active	-0...-3 dB
Gain TERR passive	-22...-28 dB
Isolation	>26 dB
Switching isolation	>26 dB
Max. output level SAT (3rd order SAT EN 50083 3 35dB KMA, 2 sender test method)	94 dBμV
Trunk outputs	
Rejection (SAT   TERR)	>40 dB
Connectors	
Connector type	F
General	
Switching power supply	90...250 V~   47...63 Hz   18 V=2 A
Power indicator	LED
Power consumption without LNB supply (TERR passive   active)	8.3   10.2 W
Power consumption in Stand-by (TERR passive   active)	2.2   4.0 W
Equipotential bonding connection	4 mm <sup>2</sup>
Operating temperature range (acc. to EN 60065)	-20...+50°C
Dimensions (W × H × D) appr.	407 (432)* × 170 × 85 mm
Weight	1.680 kg
IP code	IP20
Comments	* incl. DC bridge

## Example of use



## Suitable products

[QEW 17-10 Earthing angle | single-rowed | surge protection](#)

[QEW 4-12 Earthing angle | single-rowed | quickfix](#)

[QEW 5-12 Earthing angle | single-rowed | quickfix](#)

[MAK 20-80 F | patch cable | axial connectors male | double shielded | 0.20 m](#)