

## SPU 96-09 Active multiswitch | 9 in 6 | premium-line



- ✓ For up to 6 subscribers
- ✓ Active satellite and terrestrial path
- ✓ Terrestrial adjustable, switchable to passive (thus suitable for return channel)
- ✓ Cascadable
- ✓ Suitable for broadband return path (EoC suitable up to 204 MHz)
- ✓ Suitable for Quad LNB
- ✓ Switching power supply unit (detachable up to 10 m)

### Order information

Type	SPU 96-09
Order no.	SPU09609
GTIN	7611682130966
PE	1
VE	1
EU customs tariff number	85291095



### Technical data

#### Inputs

Number	9
Frequency range	5 ... 862 MHz   950 ... 2200 MHz
Attenuator adjustment range TERR, switchable to passive	20 dB

#### Subscriber ports

Number	6
Switch commands	13/18 V, 0/22 kHz, DiSEqC 2.0
Gain SAT	-6...0 dB
Gain TERR active	-6...-3 dB
Gain TERR passive	-22...-29 dB
Isolation	>26 dB
Switching isolation	>26 dB
Max. output level SAT (3rd order SAT EN 500833 35dB KMA, 2 sender test method)	94 dB $\mu$ V
Current consumption per port (without LNB supply)	25 mA

#### Trunk outputs

Number	9
Gain TERR active	11...17 dB
Gain TERR passive	-6...-9 dB
Gain SAT	12 dB
Max. output level TERR (3rd order EN 500833, 60 dB KMA)	103 dB $\mu$ V
Max. output level trunk SAT (3rd order EN 500833, 35 dB KMA, 2 sender test method)	113 dB $\mu$ V
Isolation	>26 dB
Rejection (SAT   TERR)	>40 dB

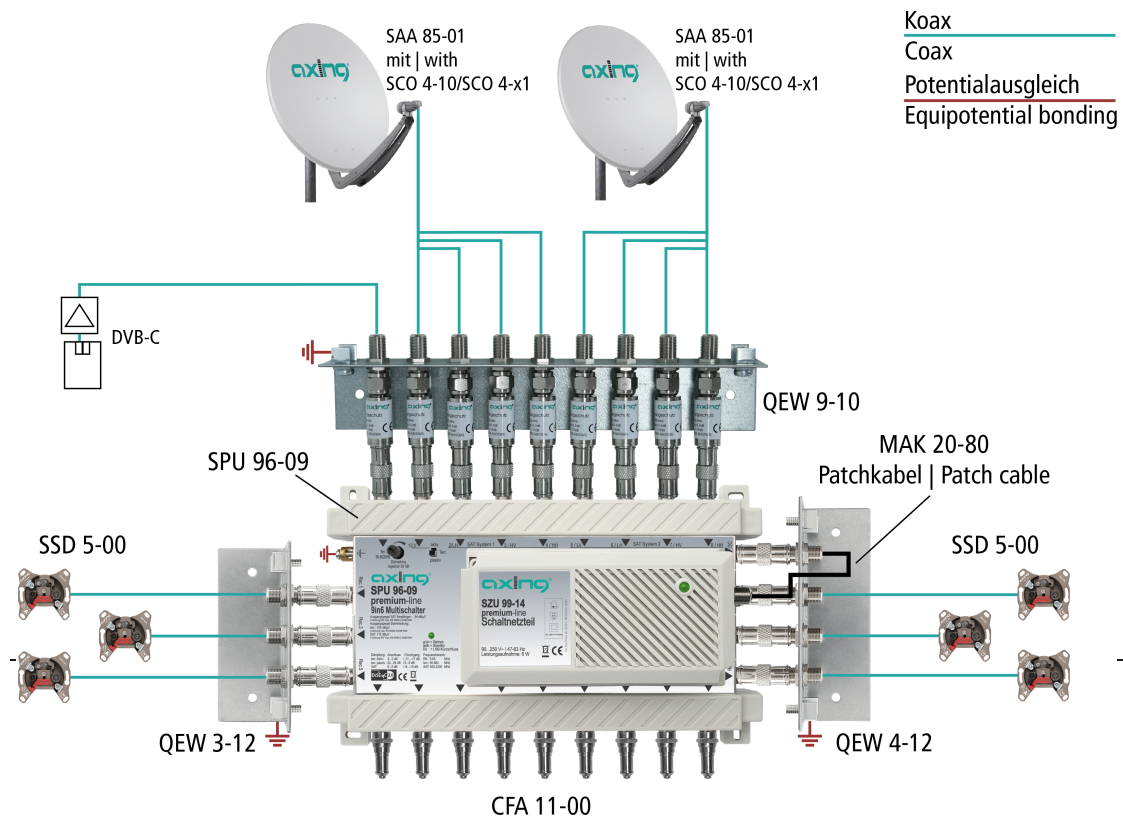
#### Connectors

Connector type	F
----------------	---

#### General

Switching power supply	90...250 V~   47-63 Hz   18 V=/1.2 A
Power indicator	LED
Power consumption without LNB supply (TERR passive   active)	5.9   7.8 W
Power consumption in Stand-by (TERR passive   active)	2.3   4.1 W
Equipotential bonding connection	4 mm <sup>2</sup>
Operating temperature range (acc. to EN 60065)	-20...+50°C
Dimensions (W x H x D) appr.	255 x 145 x 85 mm
Weight	1.030 kg
IP code	IP20

## Example of use



## Suitable products

- [QEW 9-10 Earthing angle | single-rowed | surge protection](#)
- [QEW 3-12 Earthing angle | single-rowed | quickfix](#)
- [QEW 4-12 Earthing angle | single-rowed | quickfix](#)
- [MAK 20-80 F | patch cable | axial connectors male | double shielded | 0.20 m](#)
- [CFA 11-00 Terminating resistor | 75 Ohm | DC isolated](#)
- [CFA 4-01 Adapter F/F | Quickfix](#)