

## SPU 996-09 Cascade unit | 9 in 6 | premium-line



- ✓ For up to 6 subscribers
- ✓ Passive satellite and terrestrial path
- ✓ For cascadable 9 in x SAT systems
- ✓ Optimized for the use with SPU 9xx-09
- ✓ Suitable for broadband return path (EoC suitable up to 204 MHz)

### Order information

Type	SPU 996-09
Order no.	SPU99609
GTIN	7611682139952
PE	1
VE	1
EU customs tariff number	85291095



### Technical data

#### Inputs

Number	9
Frequency range	5 ... 862 MHz   950 ... 2200 MHz

#### Subscriber ports

Number	6
Tap loss TERR	20 dB
Tap loss SAT	19...16 dB
Isolation	>26 dB
Switching isolation	>26 dB

#### Trunk outputs

Number	9
Through loss TERR	5 dB
Through loss SAT	2...5 dB
Isolation	>30 dB
Rejection (SAT   TERR)	>40 dB

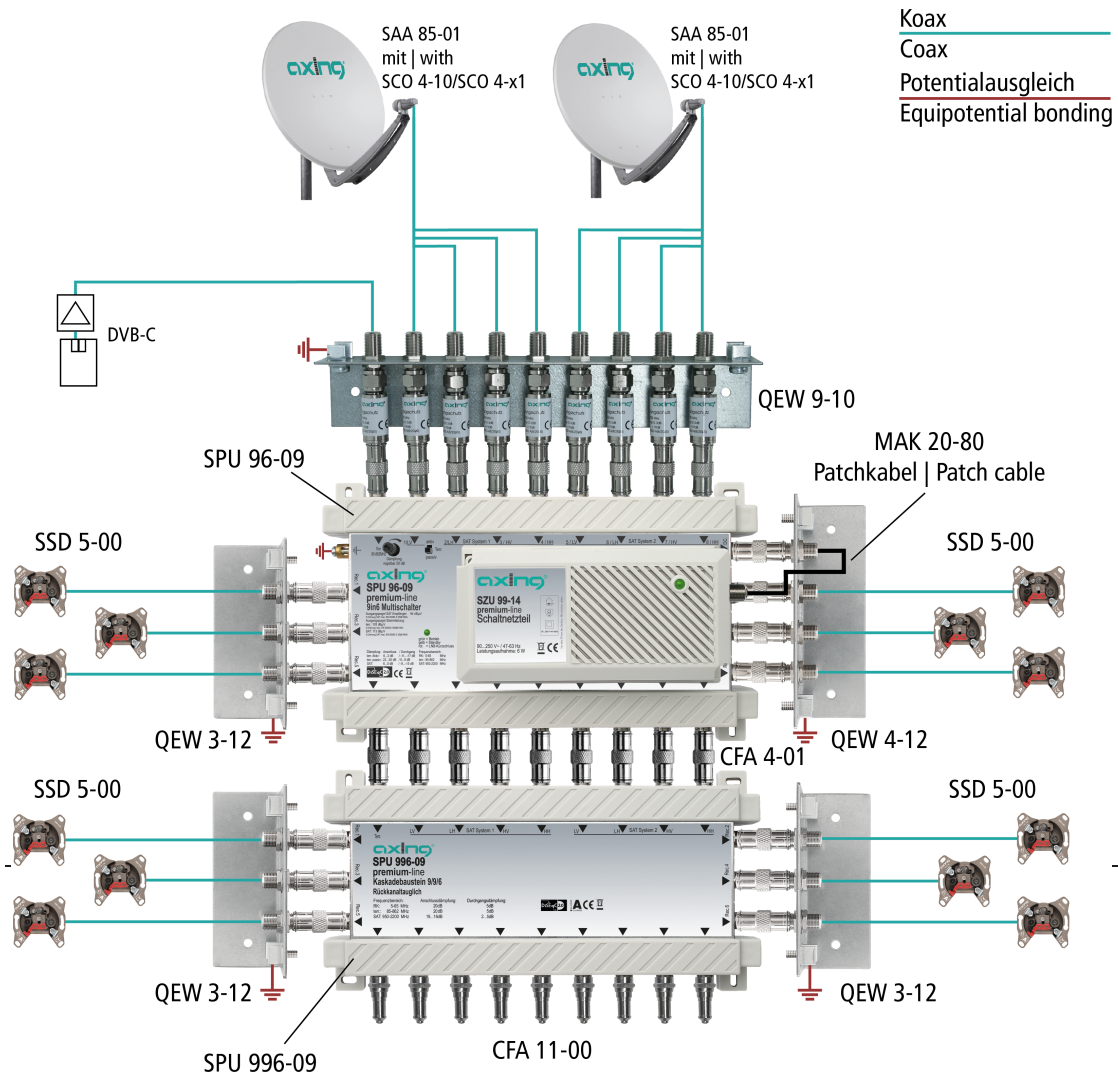
#### Connectors

Connector type	F
----------------	---

#### General

Operating temperature range (acc. to EN 60065)	-20...+50°C
Dimensions (W × H × D) appr.	230 × 125 × 40 mm
Weight	0.606 kg

## Example of use



## Suitable products

[QEW 3-12 Earthing angle | single-rowed | quickfix](#)

[CFA 11-00 Terminating resistor | 75 Ohm | DC isolated](#)

[CFA 4-01 Adapter F/F | Quickfix](#)